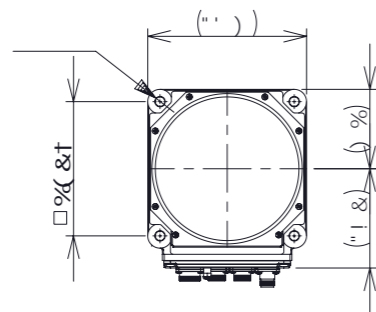
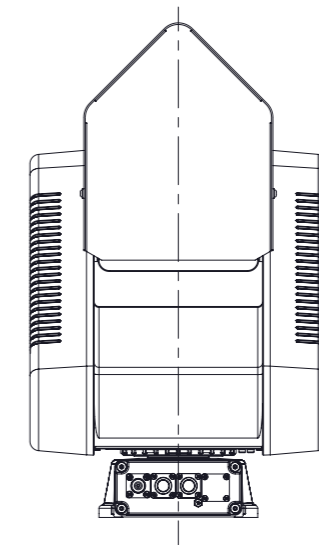
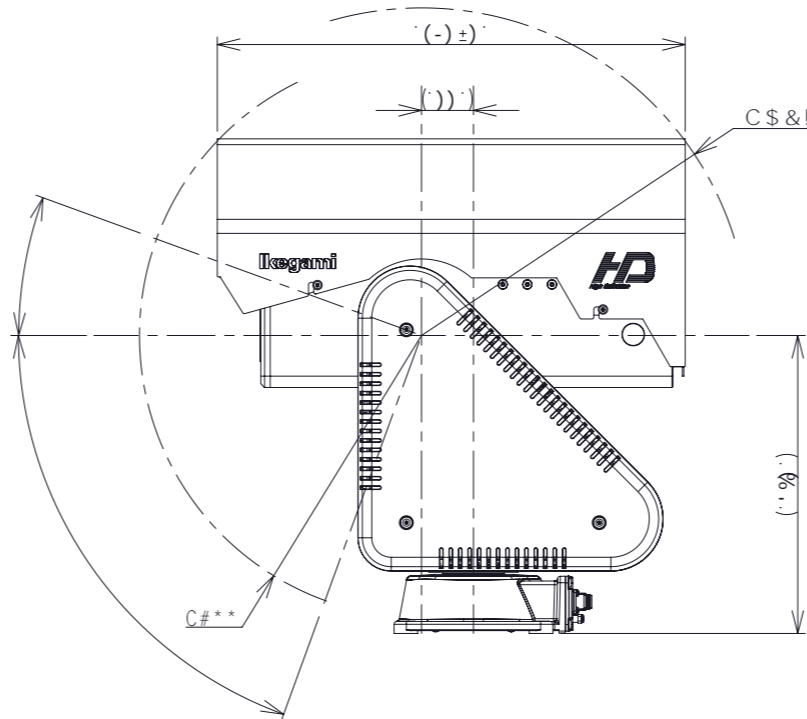
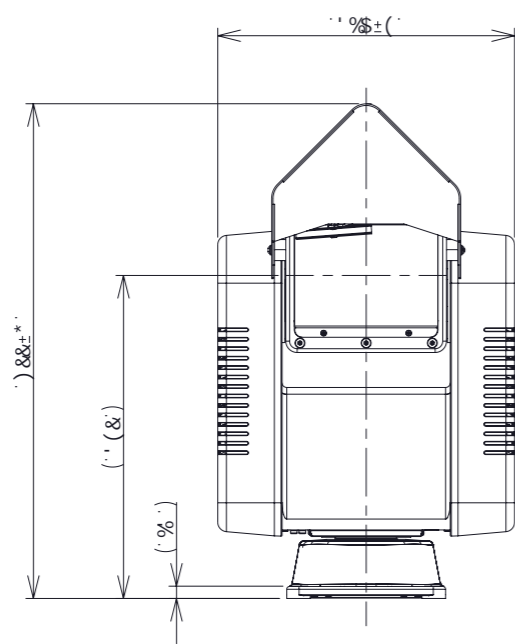


>% B>K! %' ! FA ...
 >& 6B7! 7D>! %) 5F ...
 >' B>K! % , ! FA ...



\odot ◀	5DDFCJ98		D7G ++\$\$<8' <G		
I B+HG	aa	7-97798	H+H9 (/)		
G75@9	% ,	8F5KB	KCF? ' Bc"	8K: " Bc"	F9J
		89G=, B98	?56\$\$,) &*		
				\$%	

Ikegami

=?9 5A= 'HG G<=B?=' 7C' 2' @H'