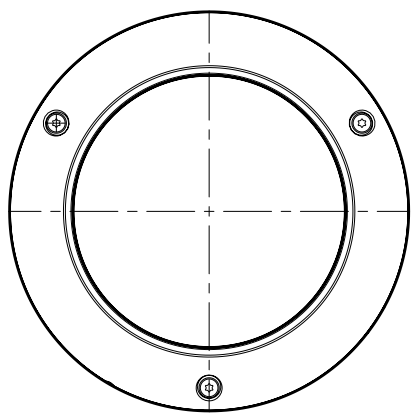
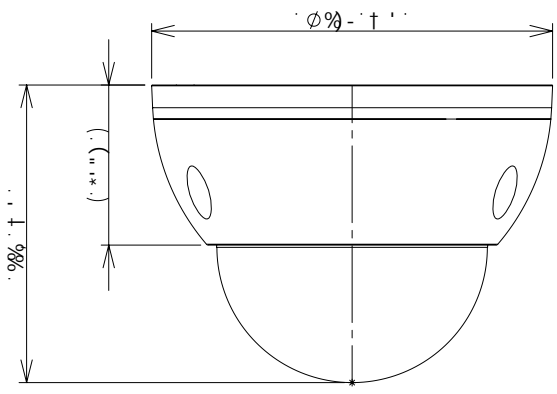
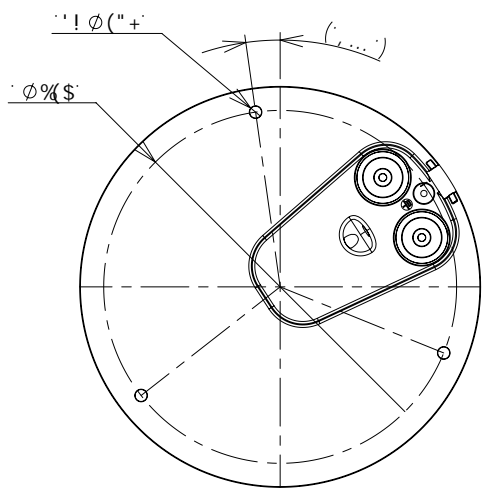
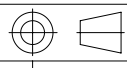


5  
6  
7  
8  
9

5  
6  
7  
8  
9



		5DDFCJ 98	&&&\$#98/#\$-	=D8 JF&/%! 5			
	IB=HG	aa	7<97?98				&&&\$#98/#\$-
	G75@9	%'	8F5KB	&&&\$#98/#\$-	KCF? Bc"	8K: " Bc"	F9J
		89G= B98	&&&\$#98/#\$-		?56\$&* &%		\$