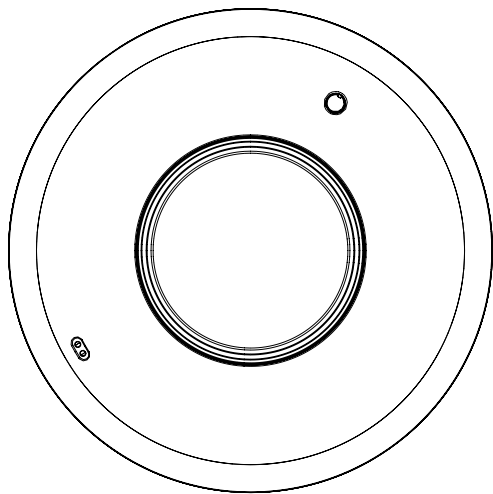
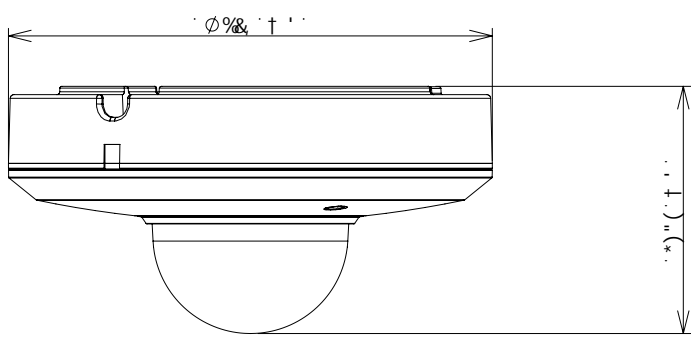
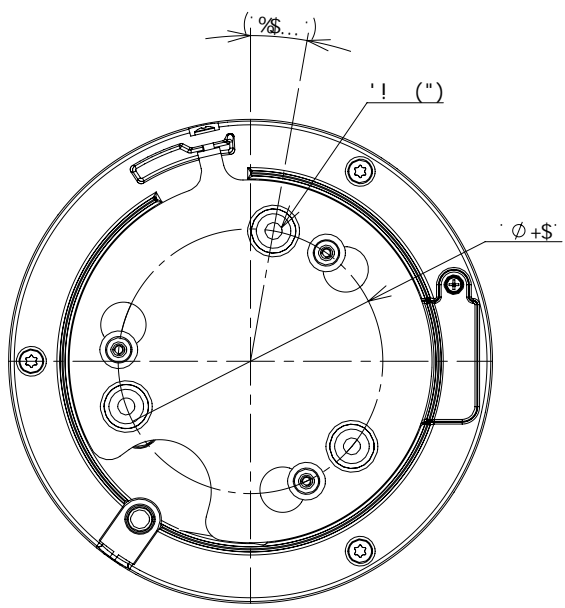


5  
6  
7  
8  
9

5  
6  
7  
8  
9



		5DDFCJ 98	$\&\&\&\#\$&\#\$$	=D8 DH&/\$! 5' HndY' N' fl		£
IB=HG	aa	7<97?98	$\&\&\&\#\$&\#\$$	HH@9		( / )
G75@9	% &	8F5KB	$\&\&\&\#\$&\#\$$	KCF? Bc"	8K: " Bc"	F9J
		89C= B98	$\&\&\&\#\$&\#\$$	?56\$&+&+&		\$