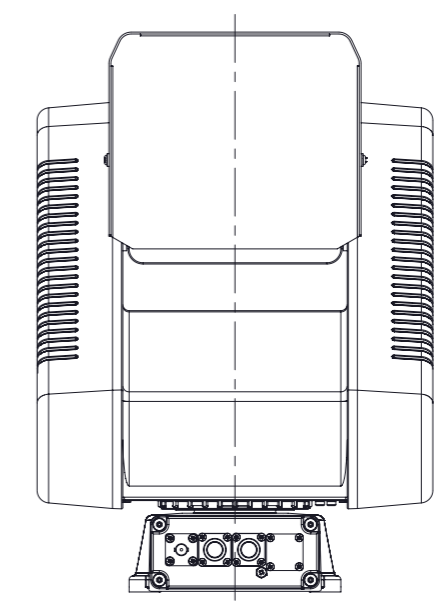


>% B-K! %' ! FA
 >& 6B7! 7D! %') 5F'
 >' B-K! %' ! FA'



		5DDFCJ98	D7G ++\$\$<8	
I B+HG	aa	7<97?98	H+H@9 (/)	
G75@9	% *	8F5KB	KCF? ' Bc"	8K: " Bc" F9J
		89G=, B98	?56\$\$,) & \$%	