



Precision Imagery for Critical Applications

High Brightness / Multi-Channel

[26-inch Medical Grade LCD Color Monitor]

MLW-2627C-DC

Able to display two images and with a high brightness of 900cd/m², the MLW-2627C-DC is a multifunctional model monitor provides a high-definition image with the color reproduction and functionality required in the medical field.

Pursuing the exceptional quality for medical applications

High Luminance 900cd/m²

With a brightness of 900cd/m², twice as bright as conventional monitors, the MLW-2627C-DC delivers a bright and high luminance image.

Hyper Image Enhancer

By controlling the chromaticity, luminance, and edge enhancement of a specific color space, the MLW-2627C-DC is able to improve the reproduction of difficult areas within a picture.

10-bit IPS Panel with LED Backlight

This monitor is fitted with a high brightness IPS panel with a wide viewing angle of 178 degrees up/down and left/right. The energy saving LED backlight panel reduces power consumption. It includes 12-bit signal processing and a 10-bit LCD panel, supporting smooth gradation.

Dynamic Image Contrast Enhancer

By calculating the brightness of the entire screen and extending the dynamic range between white and black in real time, automatically optimized black level and high contrast are achieved.

Variety of friendly features

Multi-channel Function with Side-by-Side and Picture-in-Picture

The input signal can be displayed simultaneously with side-by-side or picture-in-picture display modes.



■ Side-by-side



■ Picture-in-picture

Signal Combinations

| | Video | S-Video | HD15 (D-sub15p) | DVI-1 | DVI-2 | SDI-1 | SDI-2 |
|-----------------|-------|---------|-----------------|-------|-------|-------|-------|
| Video | — | — | ○ | ○ | ○ | ○ | ○ |
| S-Video | — | — | ○ | ○ | ○ | ○ | ○ |
| HD15 (D-sub15p) | ○ | ○ | — | ○ | ○ | ○ | ○ |
| DVI-1 | ○ | ○ | ○ | — | ○ | ○ | ○ |
| DVI-2 | ○ | ○ | ○ | ○ | — | ○ | ○ |
| SDI-1 | ○ | ○ | ○ | ○ | ○ | — | ○ |
| SDI-2 | ○ | ○ | ○ | ○ | ○ | ○ | — |

User Preset Memory

It has a user preset function for easy setting and adjusting of the display mode and setup of image adjustment. Up to eight settings can be saved as a preset, and recalled when needed.

Function Key

For convenient use, a frequently used function can be assigned to the Function key to select instantly.

Flip Function

Images can be flipped horizontally and vertically.



Still Image

It is possible to compare with a saved still image against the current live video. The input video and memorized still image can be compared on the screen.

Touch switch

A touch switch is fitted for easy operation.

* The picture is a composite image.

Specifications

| | |
|----------------------------|---|
| LCD Panel Size | 26-inch |
| Backlight System | LED |
| Display Size | 576(H) x 324(V)mm |
| View Angle | 178°(up&down / left&right) |
| Maximum Brightness | 900cd/m ² (Typical) |
| Contrast Ratio | 1400:1 (Typical) |
| Pixels | 1920(H) x 1080(V) |
| Color Gradient | 1,073,740,000 |
| VIDEO Input | |
| Signal and Connector | composite (VBS) 1CH:BNC (with loop through) Y/C (S-VIDEO) 1CH:S terminal (with loop through) |
| RGB/Component Input | |
| Signal and Connector | R,G,B or Y,Pb,Pr 1CH:HD-15 [D-Sub 15pin] (with loop through) |
| DVI Input | |
| Signal and Connector | DVI-D (equipped with cable compensation equipment:Max.30m) 2CH:DVI-D 24pin Max. clock 162MHz (with loop through 1CH) |
| SDI Input | |
| Signal and Connector | 3G-SDI (Level A)/HD-SDI/SD-SDI 2CH:BNC (with loop through 2CH) |
| DC5V Output | 1A output |
| Safety Approval | ANSI/AAMI ES60601-1, CSA C22.2 No. 60601-1, EN60601-1, GB4943.1-2011 |
| EMC | FCC Class A, VCCI Class A EN60601-1-2, GB9254-2008 (Class A) GB17625.1-2012 |
| Power Requirement | Monitor : DC 24V ±1V AC adapter : 100 to 120V/200 to 240V |
| Power Consumption | 100W or less |
| Ambient Temperature | +5°C to +35°C |
| Dimensions | W640 x H405 x D84mm (excluding protrusions) |
| Weight | approx. 8kg (excluding stand) |

Available Display Signal for DVI-D/HD15 (D-Sub15p)

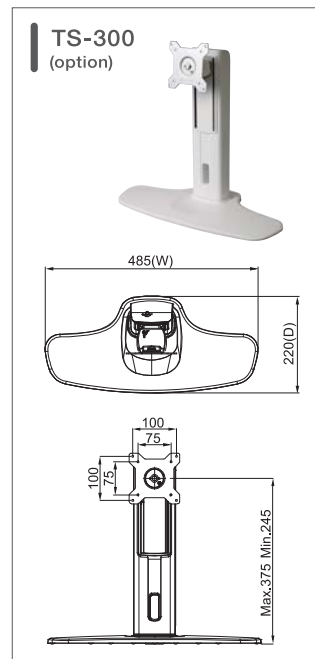
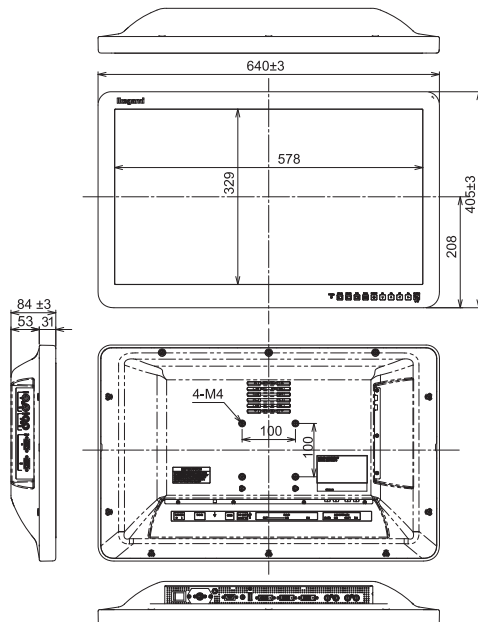
| | |
|-----------------|--|
| DVI-D | VGA, SVGA, XGA, SXGA, WUXGA 480i/60, 575i/50, 1080i/60, 1080i/50, 720P/60, 720P/50, 1080P/60, 1080P/50 |
| HD15 (D-Sub15p) | VGA, SVGA, XGA, SXGA, WUXGA 480i/60*, 575i/50*, 1080i/60*, 1080i/50*, 720P/60, 720P/50, 1080P/60, 1080P/50 |

*Available for only G-Sync

Connectors



Dimensions (mm)



Design and specifications are subject to change without notice.

Ikegami Tsushinki Co.,Ltd.

■ URL : <http://www.ikegami.co.jp/en/>

- Head Office : 5-6-16 Ikegami, Ohta-ku, Tokyo 146-8567, Japan TEL.+81-(0)3-5700-1111 / FAX.+81-(0)3-5700-1137
- Overseas Sales Division : 5-6-16 Ikegami, Ohta-ku, Tokyo 146-8567, Japan TEL.+81-(0)3-5700-4117 / FAX.+81-(0)3-5748-2200
- Beijing Office : Room No.307 Tower B, Jia Tai International Mansion No.41East Fourth Ring Road, Chaoyang District, Beijing China TEL.+86-(0)10-85710350 / FAX.+86-(0)10-85711804

Ikegami Electronics (U.S.A.), INC.

■ URL : <http://www.ikegami.com>

- Headquarters : 37 BROOK AVENUE, MAYWOOD, NJ 07607, U.S.A. TEL.+1-201-368-9171 / FAX.+1-201-569-1626

Ikegami Electronics (Europe) GmbH

■ URL : <http://www.ikegami.de>

- Headquarters : Ikegami Strasse 1, D-41460 Neuss, Germany TEL.+49-(0)2131-1230 / FAX.+49-(0)2131-102820
- U.K. Branch : 1 Windmill Business Village, Brooklands Close, Sunbury on Thames, TW16 7DY, England TEL.+44-(0)1932-769700 / FAX.+44-(0)1932-769710

Ikegami Electronics Asia Pacific Pte.Ltd.

■ URL : <http://sg.ikegami.co.jp>

- Headquarters : 1 Tampines Central 5, #03-03 CPF Tampines Building, Singapore 529508 TEL.+65-6260-8820 / FAX.+65-6260-8896



U377A172-IB

